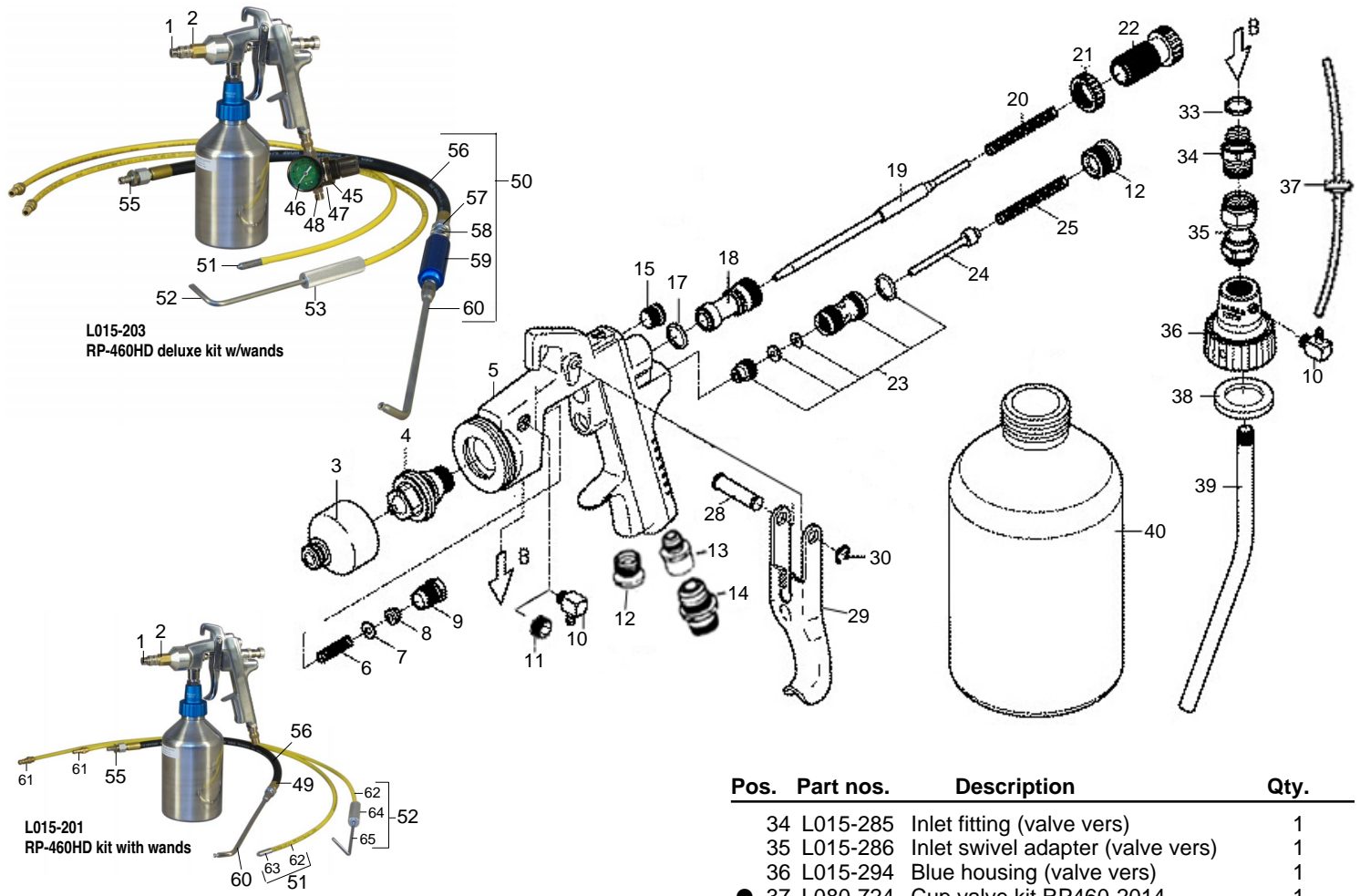


PARTS LIST & DIAGRAM

RP-460 HD RUST PROOFING GUN



Pos.	Part nos.	Description	Qty.
	L015-201	RP-460HD kit with wands	
	L015-203	RP-460HD deluxe kit w/wands	
	L015-210	RP-460HD pressure feed gun	
1	L015-142	Round nozzle	1
2	L015-155	Quick coupler	1
3	L015-139	Rust Proof adapter	1
○ 4	L015-252	Nozzle	1
5	L015-254	Gun body	1
● 6	L015-288	Packing spring	1
● 7	L015-289	Packing washer	1
● 8	L015-291	Packing	1
● 9	L015-292	Packing nut	1
10	L081-356	Elbow, M8x0.75x1/16 barb	2
11	L081-365	Plug, M8x0.75 (#210 version)	1
12	L015-265	Cap	1
13	L015-284	Adapter, male to 1/4F	1
14	L033-179	Fitting (CV)	1
15	L015-278	Plug, RP-460	1
● 17	L015-256	O-ring	1
18	L015-257	Needle guide	1
○ 19	L015-258	Needle	1
20	L015-259	Needle spring	1
	L015-527	Needle spring HD for thick Product	opt
21	L015-260	Lock nut	1
22	L015-261	Needle adjuster	1
● 23	L015-262	Air valve seat ass'y	1
● 24	L015-263	Air valve cone	1
25	L015-264	Spring	1
28	L015-267	Trigger axle	1
29	L015-268	Trigger	1
30	L015-269	C-clip	1
● 33	L015-271	Seal	1

Pos.	Part nos.	Description	Qty.
	34 L015-285	Inlet fitting (valve vers)	1
	35 L015-286	Inlet swivel adapter (valve vers)	1
	36 L015-294	Blue housing (valve vers)	1
	● 37 L080-724	Cup valve kit RP460-2014	1
	● 38 L015-282	Cup seal 38mmOD(125psi)	1
	39 L015-287	Tube, Stainless Steel	1
	40 L015-283	Container (125 psi)	1

Accessories:

45	L011-179	Air regulator	1
46	L015-453	Air gauge	1
47	L036-070	Plug 1/8	1
48	L035-501	Connector 1/4"m	opt
49	L015-143	HD flex wand	1
50	L015-144	HD flex wand - Deluxe	opt
51	L015-147	Wand, 360° swirl	1
52	L015-148	Wand, 90° hook	1
53	L015-194	Set screw, soc head	1
	L015-290	Manual, A-460 gun	1
●	L015-295	Seal kit	1
○	L015-296	Overhaul kit, incl. L015-295 seal kit	

Accessory parts:

55	L015-109	QC nipple only - 1/4m	
56	L015-108	Replacement 21" hose w/1/4F ends	
	L015-189	Replacement 21" hose w/1/4F ends upgrade	
57	L015-191	Handle swivel	
58	L032-520	Handle swivel seal	
59	L015-190	Handle, RP blue	
60	L015-107	Metal wand only - 1/4m	
61	L015-240	Brass barb+nut only (2x)	
62	L015-320	Tubing per/foor	
63	L015-241	Wand 360 deg head	
64	L015-242	Wand aluminum head	
65	L015-243	Wand 90 deg hook	

Specifications subject to change.